

# Lecture 4: LTSPICE

CSCI 5330

Digital CMOS VLSI Design

**Instructor:** Saraju P. Mohanty, Ph. D.

**NOTE:** The figures, text etc included in slides are borrowed from various books, websites, authors pages, and other sources for academic purpose only. The instructor does not claim any originality.

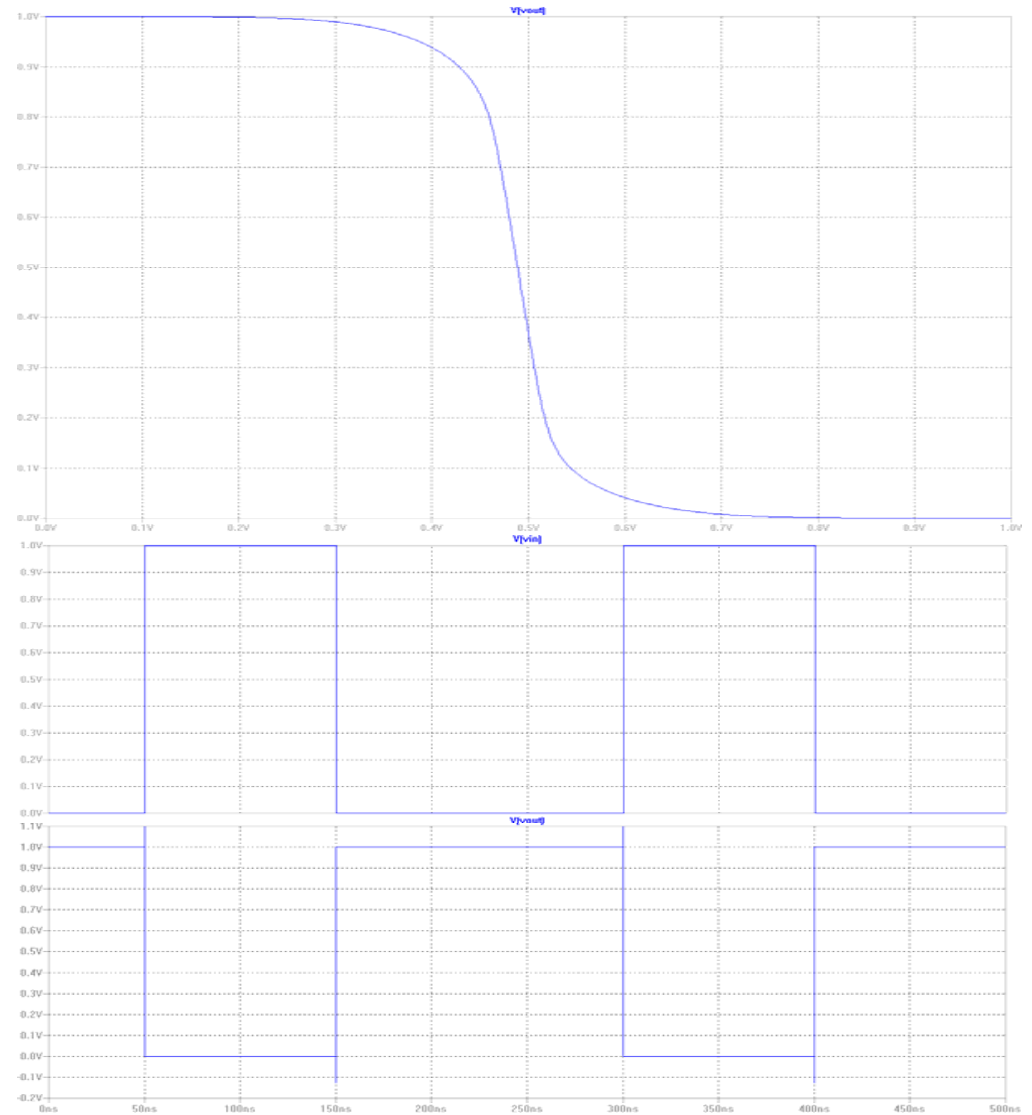
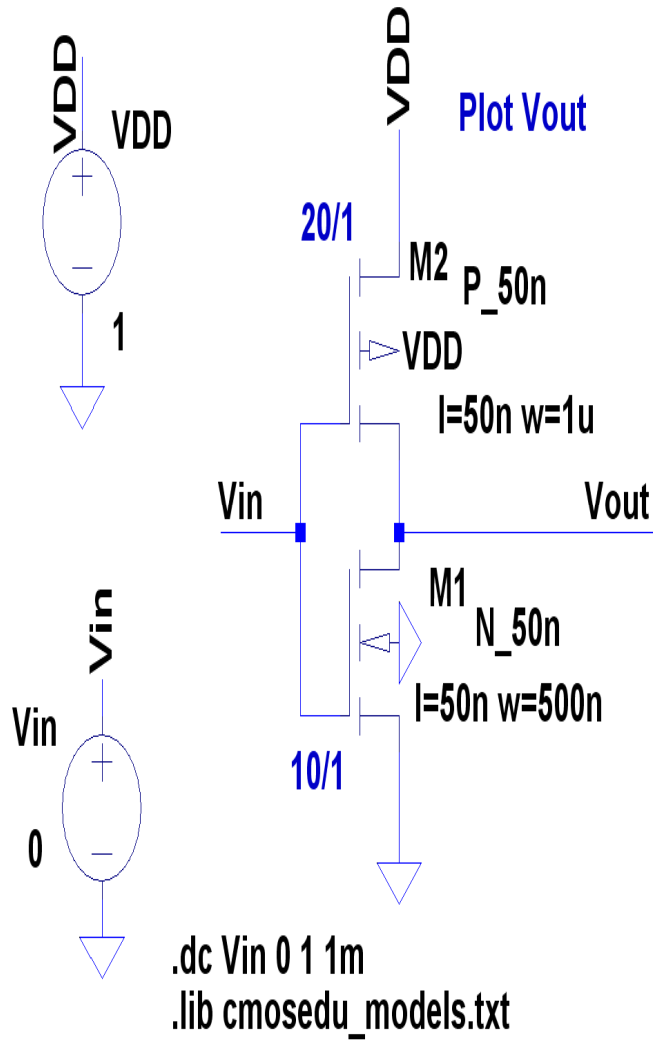


# USEFUL LINKS

- LTPSICE software available at:  
[http://www.linear.com/designtools/software/switc  
hercad.jsp](http://www.linear.com/designtools/software/switc<br/>hercad.jsp)
- 50nm model file available at:  
<http://www.cmosedu.com/cmos1/book.htm>
- More model files available at:  
<http://www.eas.asu.edu/~ptm/>



# CMOS Inverter



# Construct an Inverter using LTSPICE

- Discussion at Nano-CMOS: 50nm technology.
- PMOS: 20/1 ( $L = 50\text{nm}$ /  $W = 1\mu\text{m}$ )
- NMOS: 10/1 ( $L = 50\text{nm}$ /  $W = 500\text{nm}$ )
- $V_{DD}$ : Supply voltage ( $V_{dc} = 1\text{V}$ ).
- $V_{in}$ : changes depending upon analysis:
- DC analysis: DC voltage (1V).
- Transient analysis: Pulsed voltage (vpulse).
- Wire to connect components.
- Model file (cmosedu\_models.txt).



# What does a model file look like ?

```

*** Short channel models from CMOS Circuit Design, Layout, and Simulation, 2e
* 50nm BSIM4 models Udd=1U
.model N_50n nmos level = 14
+binunit = 1 paramchk = 1 mobmod = 0
+capmod = 2 igcmod = 1 rgbmod = 1 geomod = 1
+diomod = 1 rdsmod = 0 rbodymod = 1 rgatemod = 1
+permod = 1 acnqsmod = 0 trnqsmod = 0

+tnom = 27 tox = 1.4e-009 toxp = 7e-010 toxm = 1.4e-009
+epsrox = 3.9 wint = 5e-009 lint = 1.2e-008 | wln = 1
+l1 = 0 w1 = 0 l1n = 1 wwn = 1
+lw = 0 ww = 0 lwn = 1 toxref = 1.4e-009
+lw1 = 0 ww1 = 0 xpart = 0

+uth0 = 0.22 k1 = 0.35 k2 = 0.05 k3 = 0
+k3b = 0 w0 = 2.5e-006 dvt0 = 2.8 dvt1 = 0.52
+dvt2 = -0.032 dvt0w = 0 dvt1w = 0 dvt2w = 0
+dsb = 2 minv = 0.05 voff1 = 0 dvtp0 = 1e-007
+dvtp1 = 0.05 lpe0 = 5.75e-008 lpeb = 2.3e-010 xj = 2e-008
+ngate = 5e+020 ndep = 2.8e+018 nsd = 1e+020 phin = 0
+cdsc = 0.0002 cdscb = 0 cdscd = 0 cit = 0
+voff = -0.15 nfactor = 1.2 eta0 = 0.15 etab = 0
+ufb = -0.55 u0 = 0.032 ua = 1.6e-010 ub = 1.1e-017
+uc = -3e-011 usat = 1.1e+005 a0 = 2 ags = 1e-020
+a1 = 0 a2 = 1 b0 = -1e-020 b1 = 0
+keta = 0.04 dwg = 0 dwb = 0 pclm = 0.18
+pdiblc1 = 0.028 pdiblc2 = 0.022 pdiblc3 = -0.005 drout = 0.45
+pvag = 1e-020 pscb1 = 8.14e+008 pscb2 = 1e-007
+fprout = 0.2 pdits = 0.2 pditsd = 0.23 pditsl = 2.3e+006
+rsh = 3 rdsw = 150 rsw = 150 rdw = 150
+rdswmin = 0 rdwmin = 0 rswmin = 0 prwg = 0
+prwb = 6.8e-011 wr = 1 alpha0 = 0.074 alpha1 = 0.005
+beta0 = 30 agid1 = 0.0002 bgid1 = 2.1e+009 cgid1 = 0.0002
+egid1 = 0.8

+aigbacc = 0.012 bigbacc = 0.0028 cigbacc = 0.002
+nigbacc = 1 aigbinv = 0.014 bigbinv = 0.004 cigbinv = 0.004
+eigbinv = 1.1 nigbinv = 3 aigc = 0.017 bigc = 0.0028
+cigc = 0.002 aigsd = 0.017 bigsd = 0.0028 cigsd = 0.002
+nigc = 1 poxedge = 1 pigcd = 1 ntox = 1

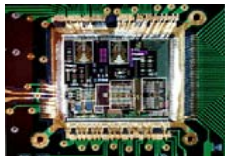
+xrcrg1 = 12 xrcrg2 = 5 cgbo = 2.56e-011 cgdl = 2.495e-10
+cgso = 6.238e-010 cgdo = 6.238e-010 ckappad = 0.02 acde = 1
+cgsl = 2.495e-10 ckappas = 0.02 noff = 0.9
+moin = 15

+kt1 = -0.21 kt1l = 0.0 kt2 = -0.042 ute = -1.5
+ua1 = 1e-009 ub1 = -3.5e-019 uc1 = 0 prt = 0
+at = 53000

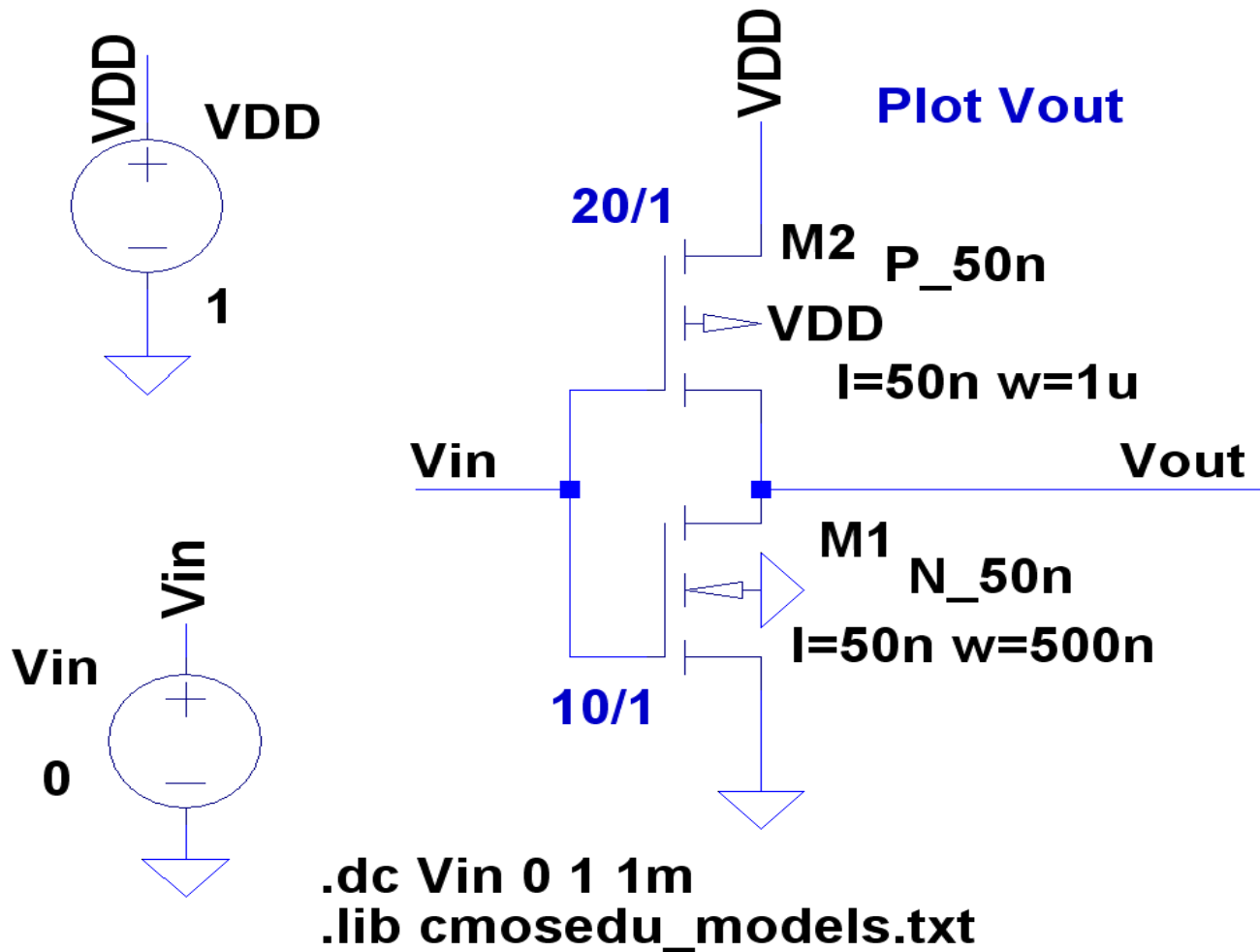
+fnoimod = 1 tnoimod = 0

+jss = 0.0001 jsws = 1e-011 jswgs = 1e-010 njs = 1
+ijthsfwd = 0.01 ijthsrev = 0.001 bus = 10 xjbus = 1
+icd = 0.0001 icud = 1e-011 ismod = 1e-010 nid = 1

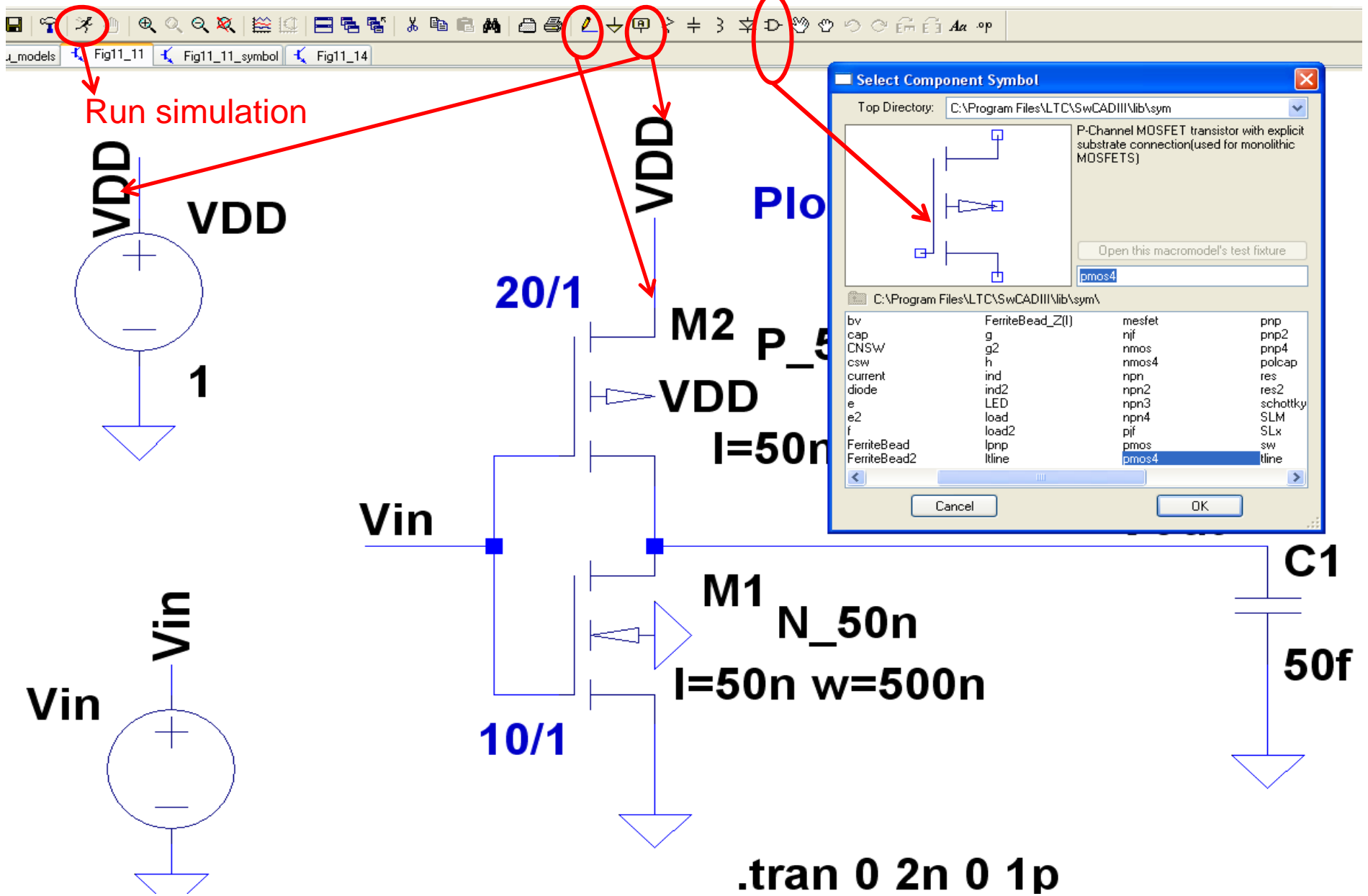
```



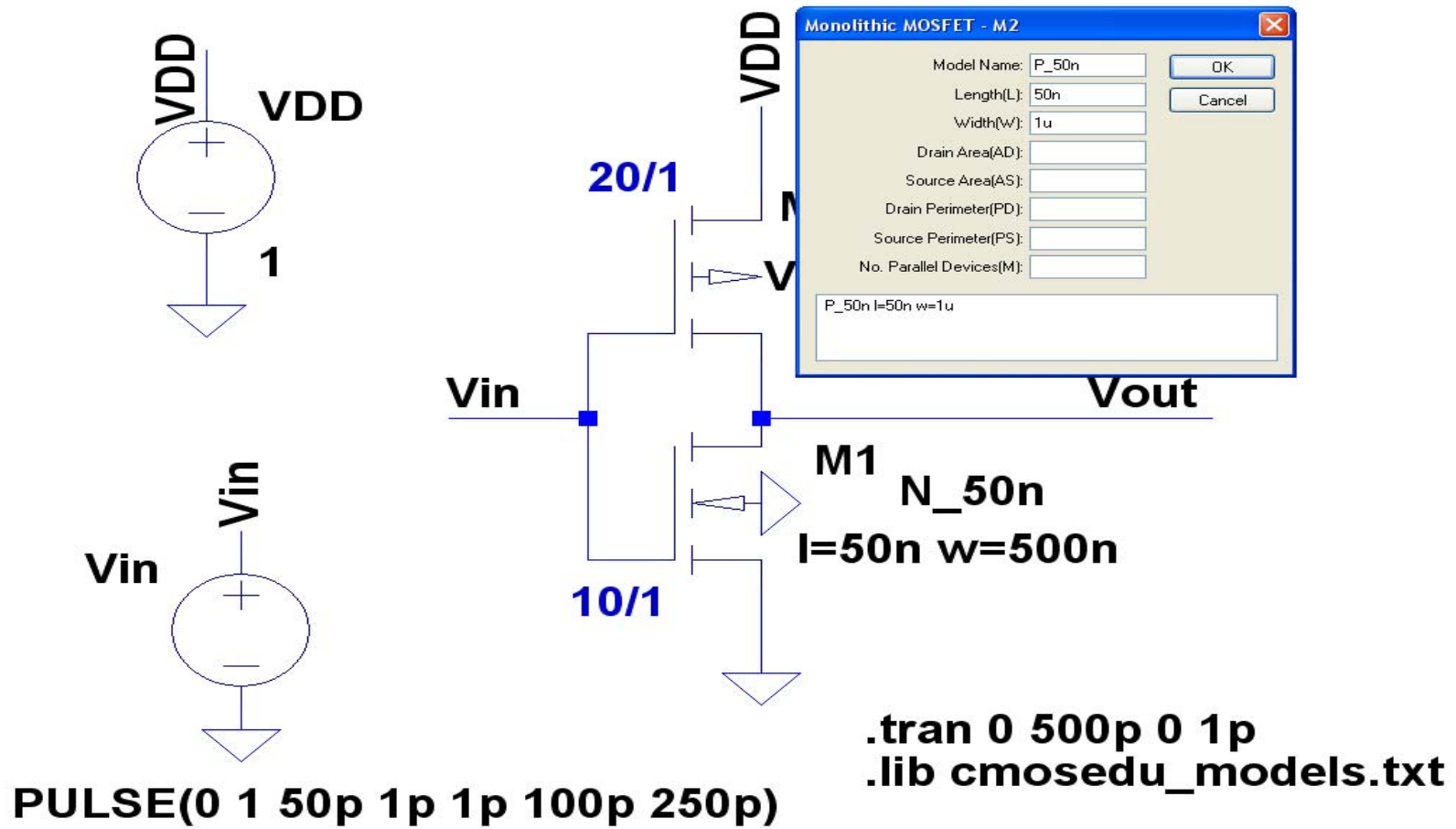
# Placing and connecting components



# Where to get components from ?

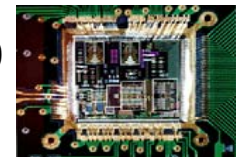
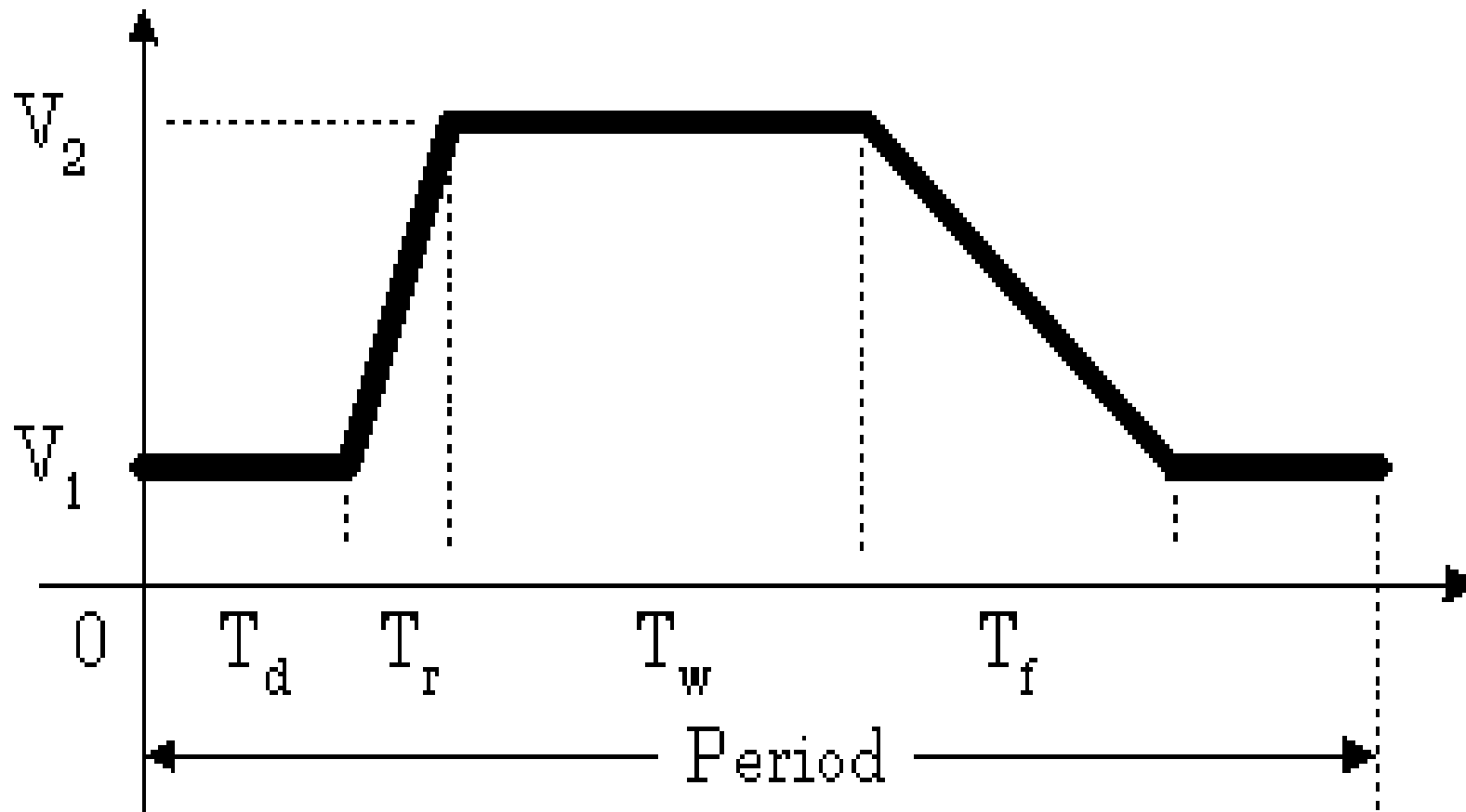


# How to assign W/L ?





# Interpreting a pulsed waveform

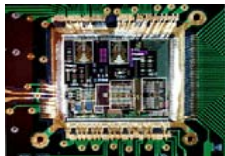


# How to assign Vin ?

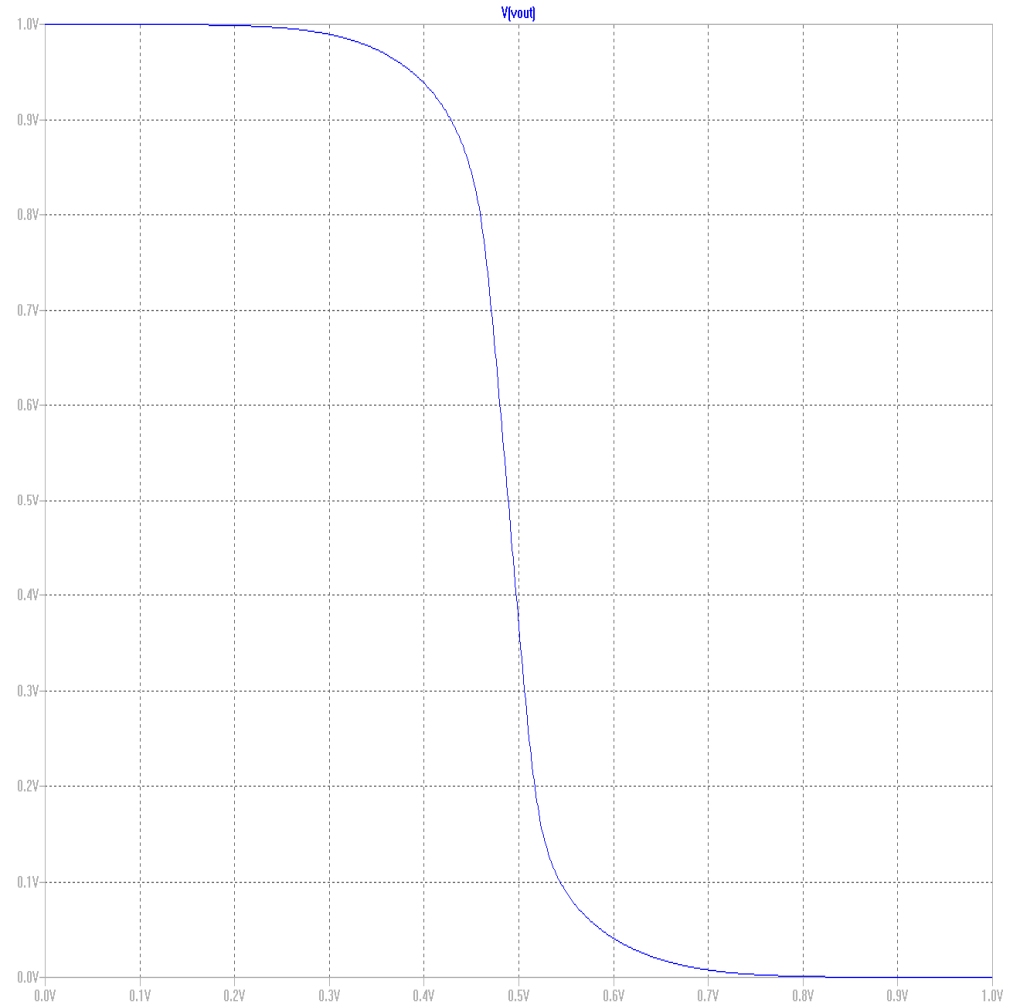
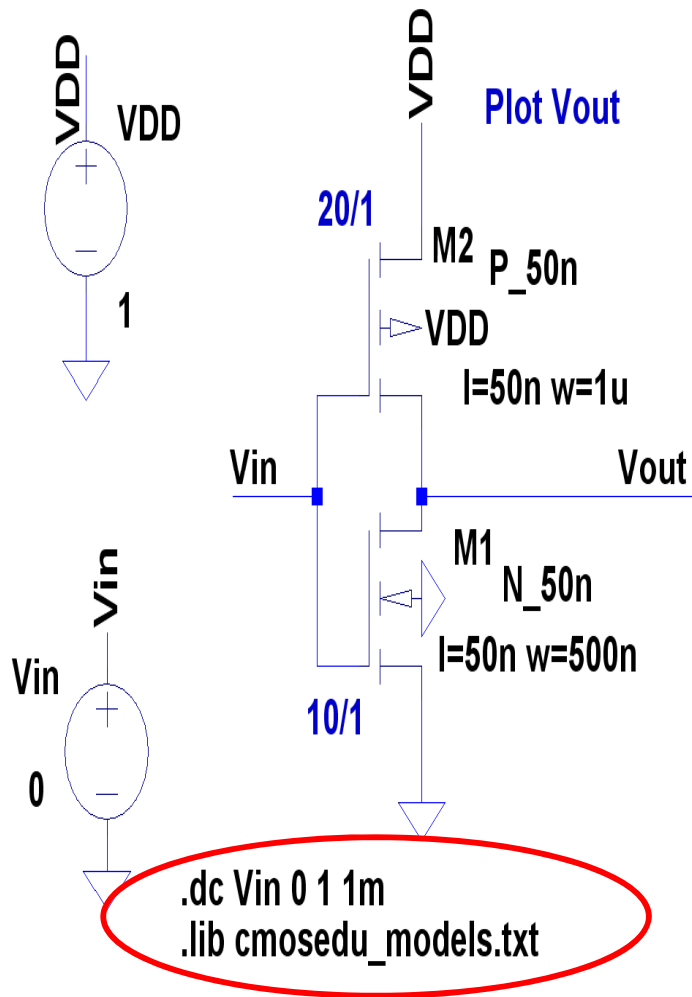
The diagram shows two voltage sources. The top one is labeled 'VDD' and has a value of '1'. The bottom one is labeled 'Vin' and is connected to a circuit node. A dialog box titled 'Independent Voltage Source - Vin' is open, showing the 'PULSE' function selected. The parameters are: Vinitial[V]: 0, Von[V]: 1, Tdelay[s]: 50p, Trise[s]: 1p, Tfall[s]: 1p, Ton[s]: 100p, Tperiod[s]: 250p, and Ncycles: (empty). The 'Make this information visible on schematic' checkbox is checked. The dialog also has sections for 'DC Value', 'Small signal AC analysis(AC)', and 'Parasitic Properties', all with their respective checkboxes checked.

**PULSE(0 1 50p 1p 1p 100p 250p)**

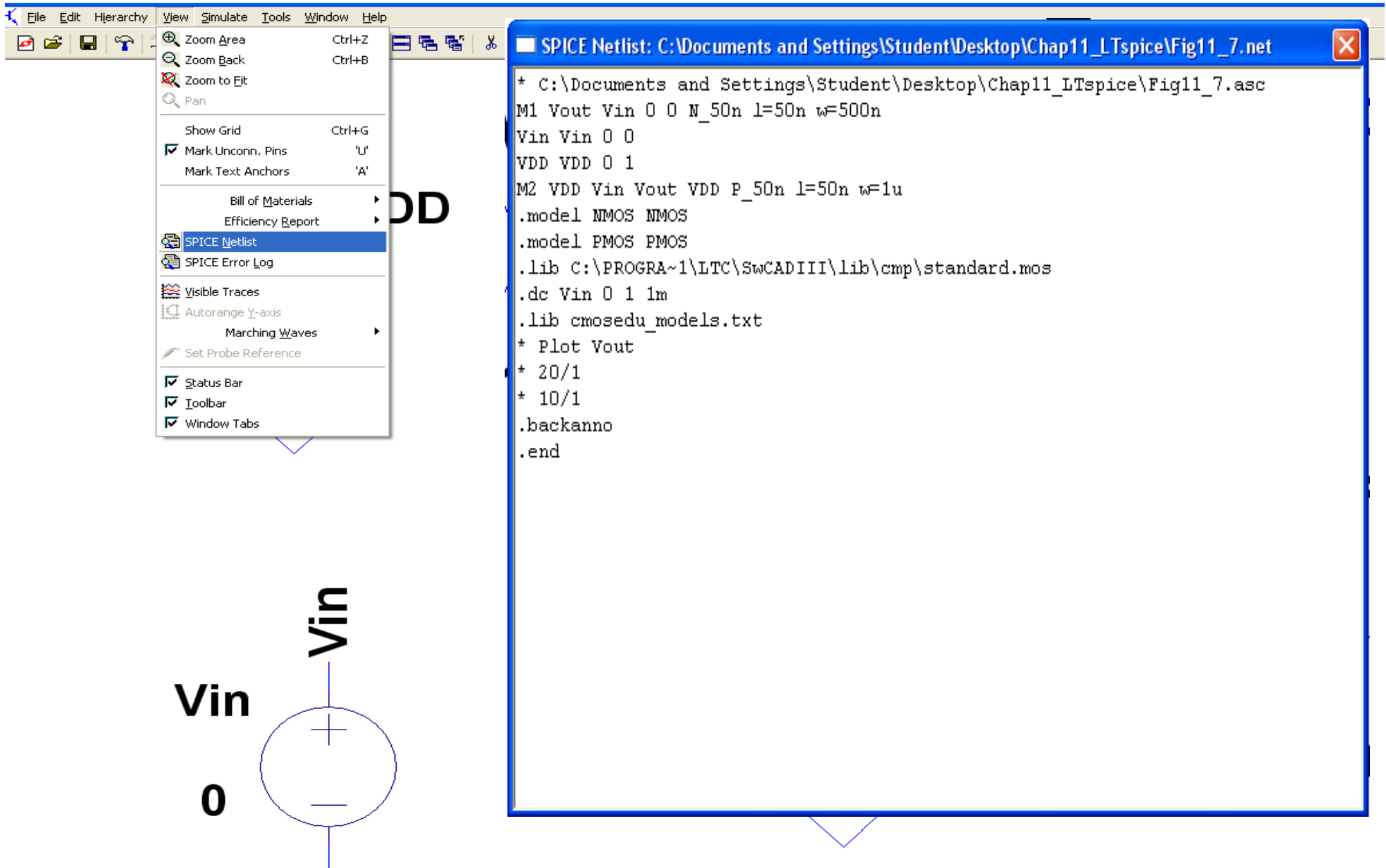
**.tran 0 500p 0 1p  
.lib cmosedu\_models.txt**



# DC Analysis

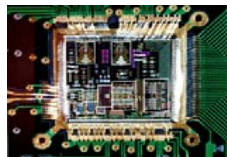
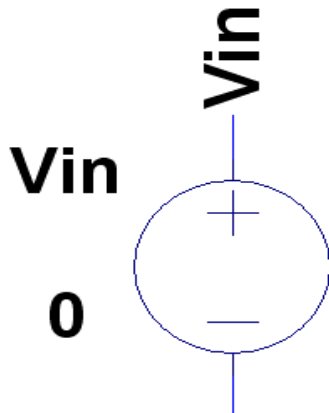


# View netlist

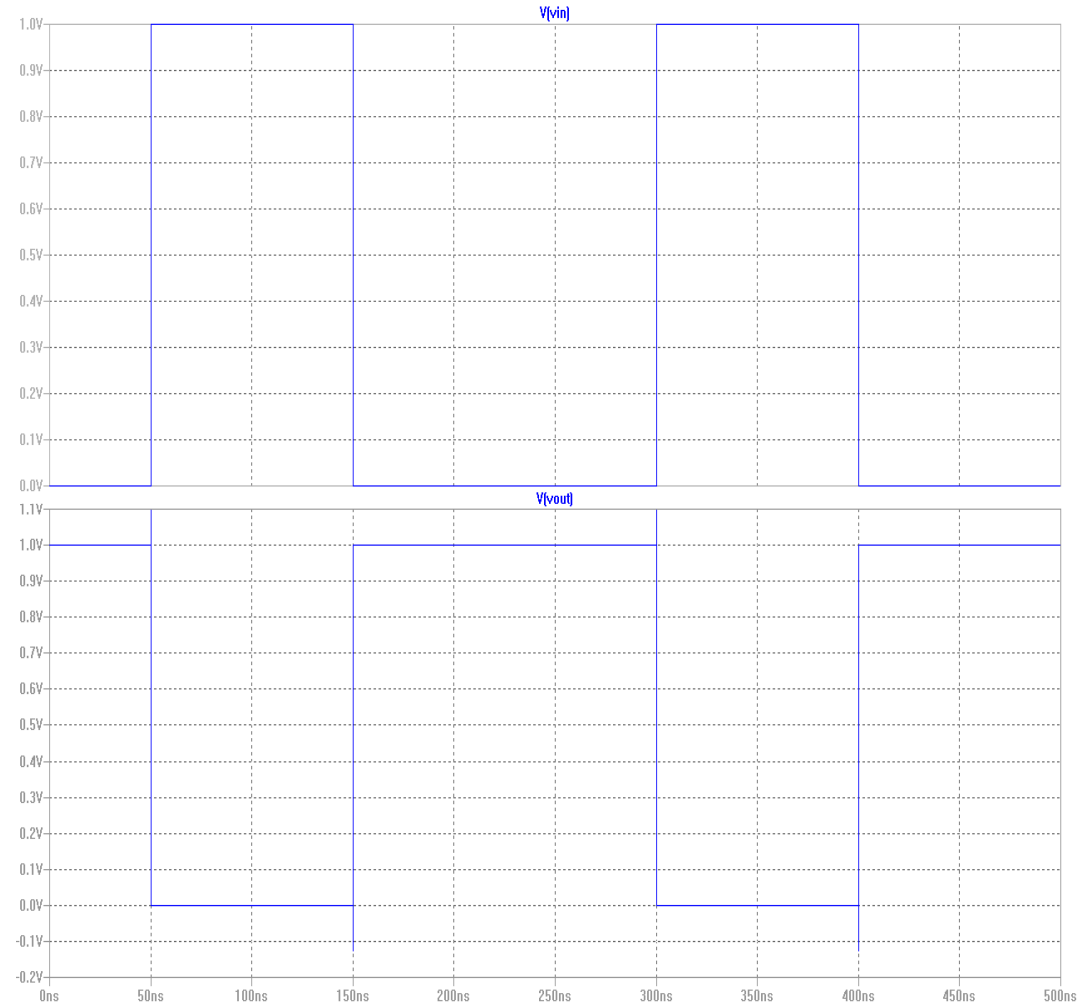
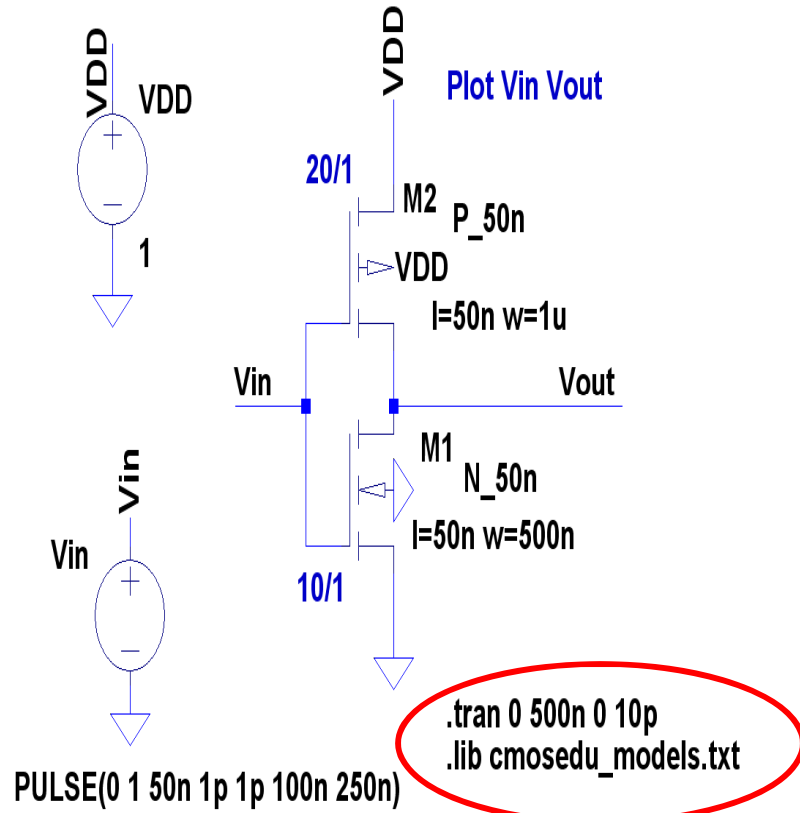


The screenshot shows a software interface with a menu bar (File, Edit, Hierarchy, View, Simulate, Tools, Window, Help) and a toolbar. The 'View' menu is open, showing options like Zoom Area, Zoom Back, Zoom to Fit, Pan, Show Grid, Mark Unconn. Pins, Mark Text Anchors, Bill of Materials, Efficiency Report, SPICE Netlist (highlighted), SPICE Error Log, Visible Traces, Autorange Y-axis, Marching Waves, Set Probe Reference, Status Bar, Toolbar, and Window Tabs. A large 'DD' watermark is visible over the menu. To the right, a window titled 'SPICE Netlist: C:\Documents and Settings\Student\Desktop\Chap11\_LTspice\Fig11\_7.net' displays the following netlist code:

```
* C:\Documents and Settings\Student\Desktop\Chap11_LTspice\Fig11_7.asc
M1 Vout Vin 0 0 M_50n l=50n w=500n
Vin Vin 0 0
VDD VDD 0 1
M2 VDD Vin Vout VDD P_50n l=50n w=1u
.model NMOS NMOS
.model PMOS PMOS
.lib C:\PROGRA~1\LTC\SwCADIII\lib\cmp\standard.mos
.dc Vin 0 1 1m
.lib cmosedu_models.txt
* Plot Vout
* 20/1
* 10/1
.backanno
.end
```

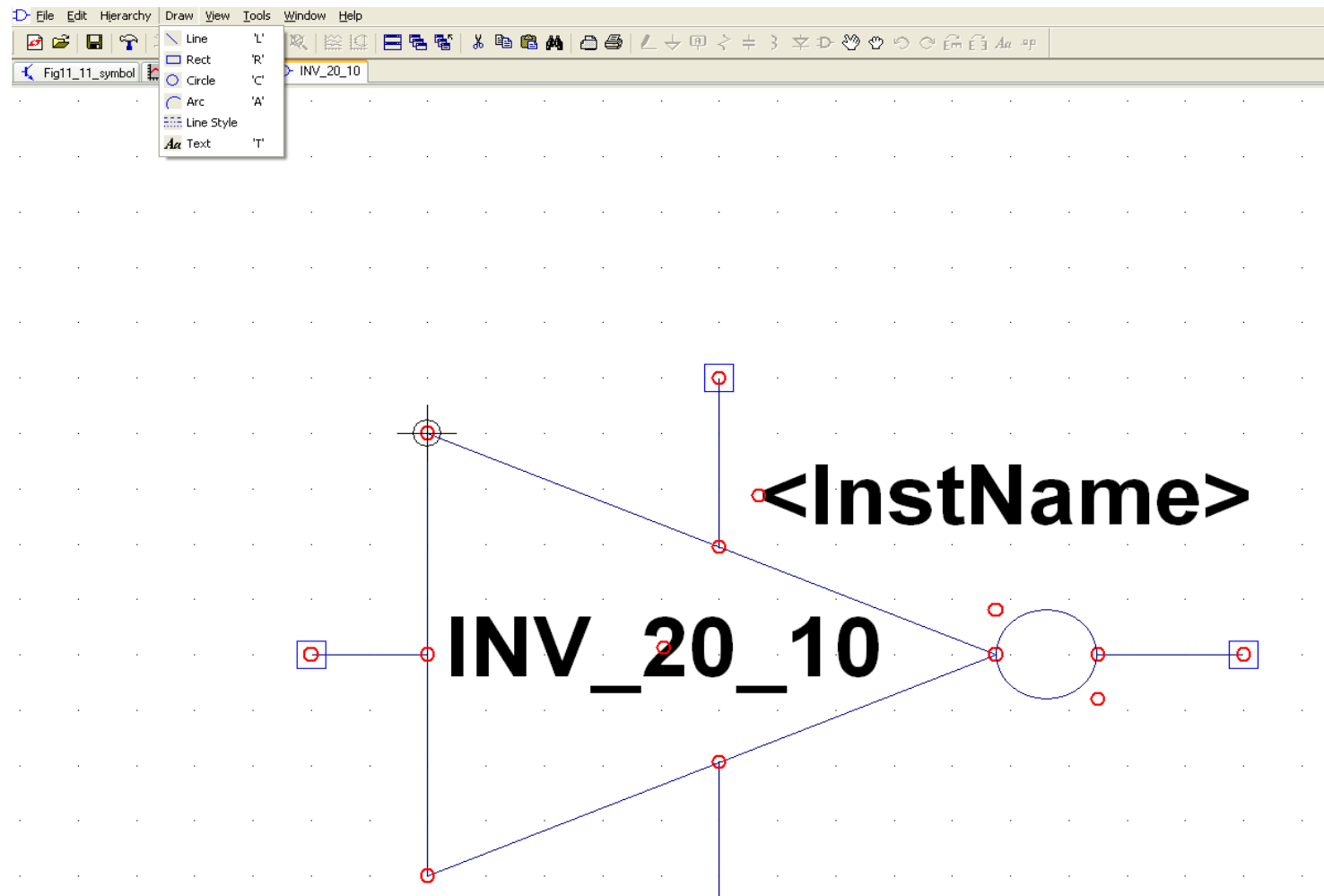


# Transient (time) Analysis

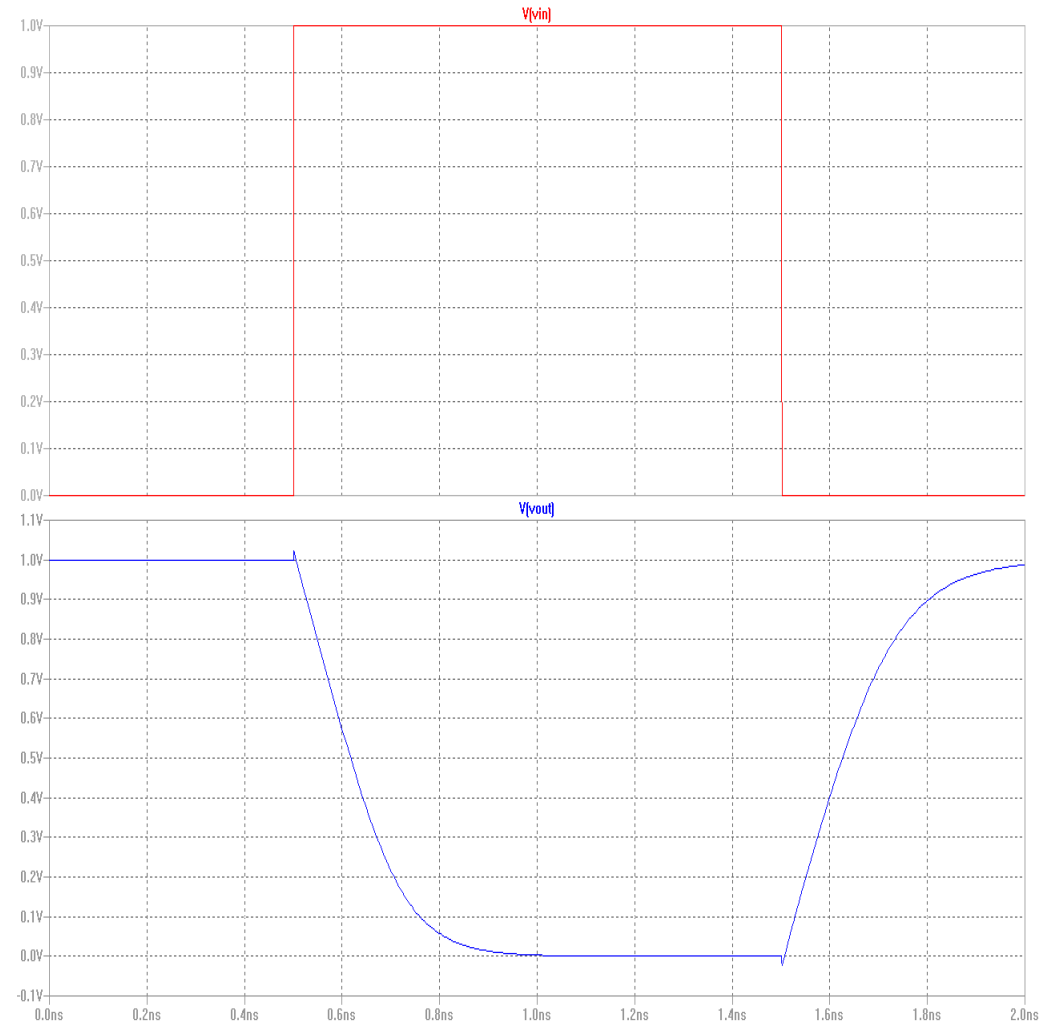
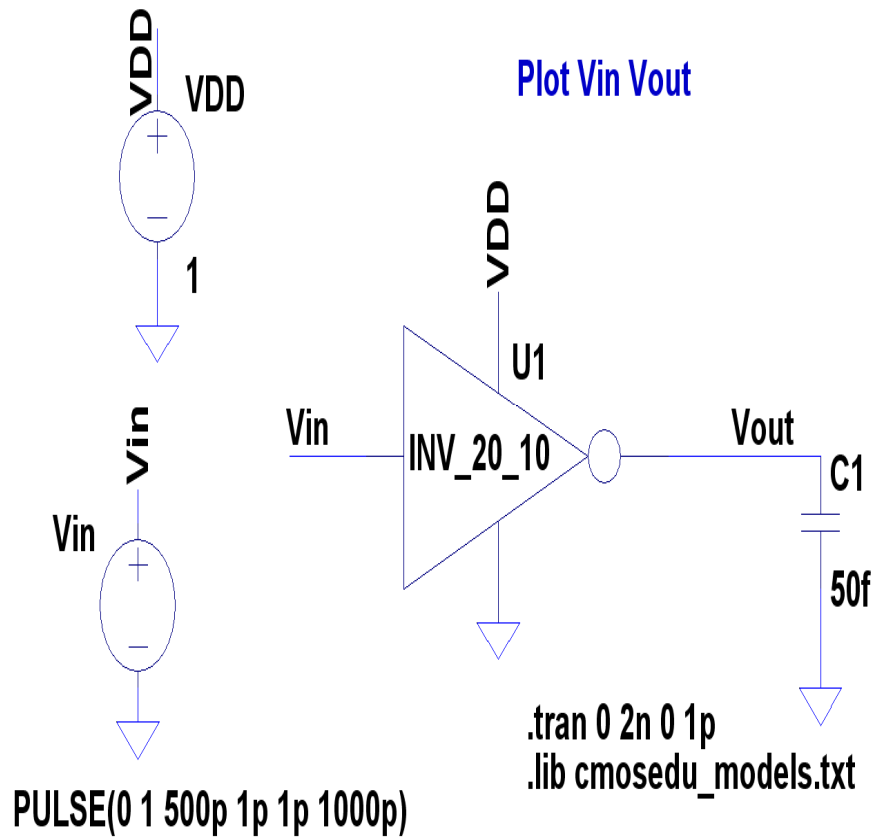


# Creating a symbol for Inverter

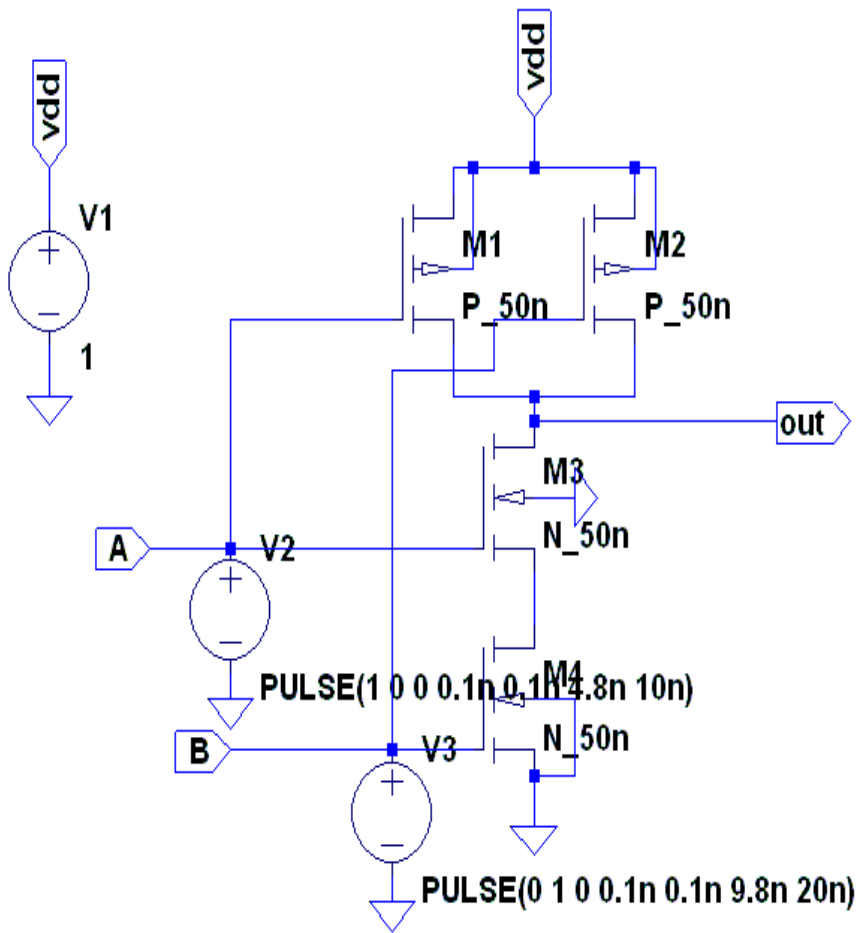
- Schematic files saved as \*.asc
- Symbol files saved as \*.asy



# Simulation using symbol: workspace much cleaner!



# One more example: NAND gate



.lib cmosedu\_models.txt

.tran 0 20n 0 100p

